

# Zero Leakage Isolation for Tank Transmitters

DSS Transmitter Isolation Valves (TIVs) provide zero leakage isolation and trouble-free operation that ensures worker safety when instrumentation is being calibrated, maintained or replaced.

These valves are great options for Pulp & Paper, Oil & Gas, Mining and Chemical applications because of their ability to cut through material in the pipeline, form a tight seal under high and low pressure, and resist corrosive substances.

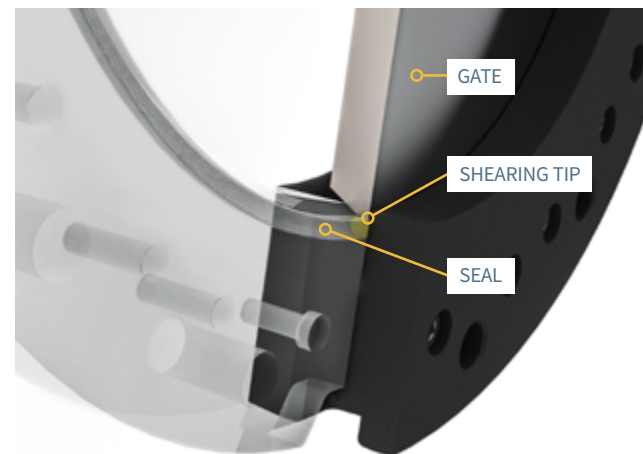
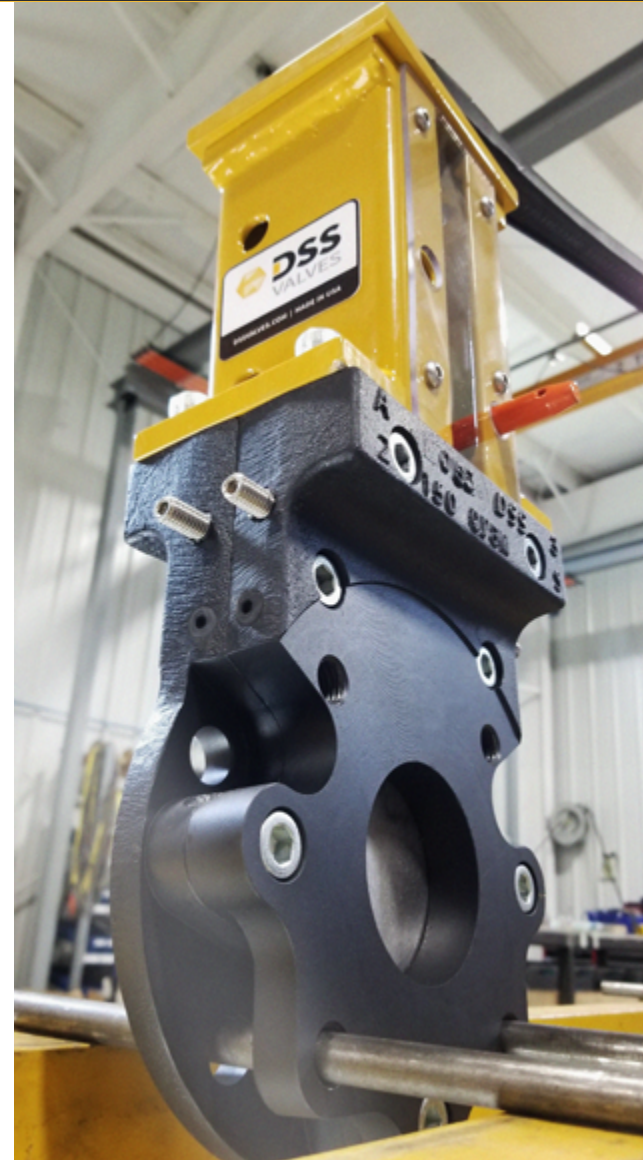
## Problems We've Solved with the Transmitter Isolation Valve

**PROBLEM:** Solids causing leakage during isolation.

**SOLUTION:** By utilizing a Guided Shear Gate Design, DSS TIVs are capable of cutting through all types of solids found in suspension and scale build up in the pipe. This ensures zero leakage isolation is achieved when sealing off instrumentation.

**PROBLEM:** Media plugging in the port.

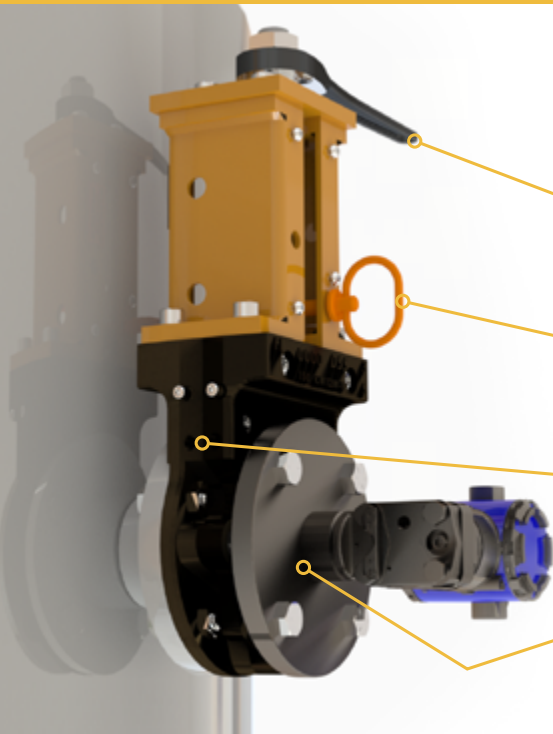
**SOLUTION:** Ball valves and other over-engineered solutions tend to have issues with plugging. The DSS TIV uses a fully round 3-inch bore and a bevelled shearing tip to remove media enabling trouble-free operation for the user.



DSS Valves Guided Shear Gate Design

## TRANSMITTER ISOLATION VALVES

# Key Features



### Key Features that come standard on the DSS Transmitter Isolation Valve:

Ratchet handle for ease of operation when attached to the tank.

Lockout-Tagout pin to lock the gate in place whether open or closed.

Purge ports to flush the valve chest, dissolve solids and scale, and assist in calibration.

Full 3-inch port for seamless integration with 3-inch transmitter flanges.

## Standard Specifications and Materials

**Size:** 3"

**Class:** 150

**Height:** 19.67" (500mm)

**Weight:** 49.85 lbs (22.6 kg)

**End Connections:** Close Coupled Standard Tank Flange with ASME Class 150 Flange

**Body Material:** A351 Gr. CF8M

**Blade/Gate Material:** A240 316 SS

**Seat:** Aflas

**Port:** Full Port (3")

**Transverse Seal:** Aflas w/Teflon Packing

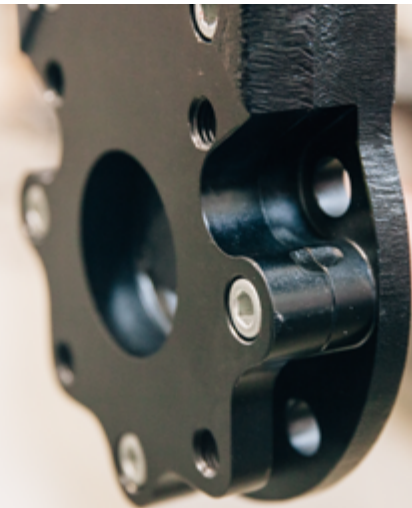
**Operator:** Ratchet Handle

**Coatings:** Xylan Coated Body and Blade

**Purging:** Optional Purge Ports Located in the Chest

**Face to Face Dimensions:** 2" (51mm)

Other options and materials available upon request including Titanium, Duplexes and Hastelloys.



## DSS Valves—Your Solution for Zero Leakage Tank Transmitter Isolation

DSS Valves is a streamlined team of engineering and manufacturing professionals dedicated to creating premier Severe Service Knife Gate Valves (SSKGVs).

We've utilized the same ground-breaking technology from our SSKGV design to create Transmitters Isolation Valves that provide zero leakage isolation and have the ability to shear through solids without fail.

Our products are known for their ability to handle differential pressure scenarios, corrosive materials, extreme temperatures and detrimental solids.

We provide prompt delivery, honest customer service and a technologically advanced product made in North America, delivered throughout the world.